

Subminiature Pushbutton Switches

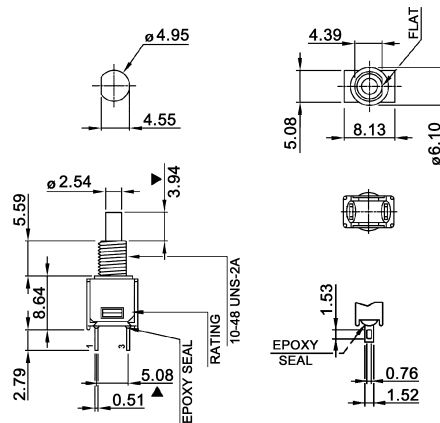


Specifications:

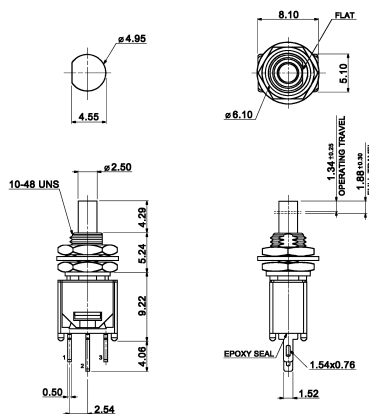
| | |
|------------------------|--|
| Contact rating: | 250 V AC, 1 A / 120 V AC, 3 A / 28 V DC, 3 A |
| Contact resistance: | < 20 mΩ |
| Insulation resistance: | > 1000 MΩ |
| Dielectric strength: | 1000 V, 50 Hz for the duration of 1 minute |
| Operating temperature: | -30 °C to +85 °C |
| Mechanical life: | minimum 50 000 operations |
| Contacts: | brass, silver-plated |
| Terminals: | brass, silver-plated |
| Case: | base: PA, cover: stainless steel, actuator: PA |
| Mounting: | single-hole |
| Timing: | non-shorting |
| Soldering conditions: | wave-soldering – max. 10 sec, max. 260 °C (pre-heat: max. 120 sec, max. 150 °C) manual soldering – max. 5 sec, max 350 °C |

Models: Switching functions

MZP 1 C off – mom



MZP 1 D on – on



Packing: 100 pcs/bag

